



GUARDIAN



iVS-2SX+

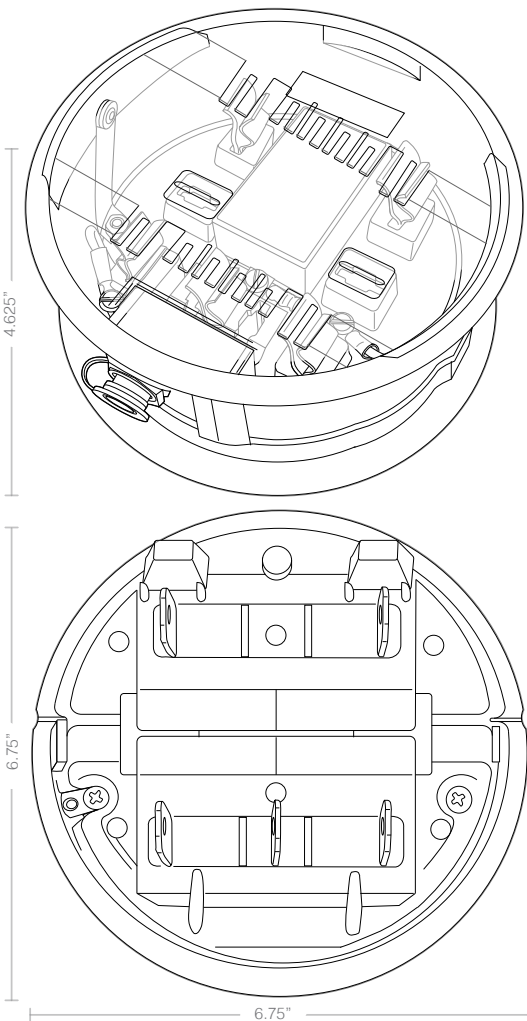


iVS-3S

INPUTS	AC Voltage	0 to 150 volts continuous per channel	0 to 140 VAC RMS continuous	0 to 600 VAC continuous
	AC Current	200 amps RMS	200 amps RMS	200 amps RMS (Forms 12S, 14S, 15S, 16S, 17S) 25 amps (Forms 6S, 8S, 9S)
	Sample Rate	256 samples/cycle/channel	128 samples/cycle/channel	128 samples/cycle/channel
CHANNELS	Voltage	2 channels	2 channels	2 or 3 channels, depending on form
	Current	2 channels	2 channels	2 or 3 channels, depending on form
MEASURED QUANTITIES PER CYCLE	RMS Voltage	Volts	Volts	Volts
	RMS Current	Amps	Amps	Amps
	Real Power	Watts	Watts (Optional)	Watts
	Apparent Power	VAs	VAs	VAs
	Reactive Power	VARs	VARs (Optional)	VARs
	Phase Angle	Degrees	Degrees (Optional)	Degrees
	Power Factor	Watts/VA	Watts/VA (Optional)	Watts/VA
	Displacement PF	cos (phase angle)	cos (phase angle) (Optional)	cos (phase angle)
	Power Usage	kWh, kVARh, kVAh	kWh, kVARh, kVAh (Optional)	kWh, kVARh, kVAh
ACCURACY	Voltage	0.33% of full scale	0.33% of full scale	0.33% of full scale
	Current	1.0% of full scale	1.0% of full scale	1.0% of full scale
	Power	1.0% of full scale	1.0% of full scale	1.0% of full scale
	Phase Angle	1.0°	1.0°	1.0°
	Power Factor	±0.02	±0.02	±0.02
	Displacement PF	±0.02	±0.02	±0.02
HARMONICS	Voltage	to the 51st	to the 31st (Optional)	to the 31st
	Current	to the 51st	to the 31st (Optional)	to the 31st
	Measures	magnitude, phase, THD	magnitude, THD	magnitude, THD
COMMUNICATIONS	Type	Bluetooth® Wireless, USB	RS232 port	RS232 port
	Remote	Cell modem option	n/a	n/a
	Data Rate		4,800 to 28,800 baud	4,800 to 38,000 baud
INFORMATION STORAGE	Interval	6.9 MB	2.1 MB	2.1 MB
	Graphs			
	Significant Change	1000 records	1000 records	1000 records
	Flicker	1000 records	1000 records	1000 records
Waveform Capture	1.7 MB	384 KB (Optional)	384 KB	

	GUARDIAN	iVS-2SX+	iVS-3S	
RECORD SETTINGS	Interval Graphs Significant Change Flicker Settings Waveform Capture	1 second to 4 hour interval user selected, stop-when-full, or wrap around memory modes 1V to 8V in 1V steps User-defined, or conform to IEEE 1453/IEC 61000-4-15, and IEEE Std. 141. Voltage and current threshold, periodic capture	1 second to 4 hour interval user selected, stop-when-full, or wrap around memory modes 1V to 8V in 1V steps User-defined, or conform to IEEE Std. 141. (Optional) voltage and current threshold	User selected, stop-when-full, or wrap around memory modes Significant Change 1V to 8V in 1V steps User-defined, or conform to IEEE Std. 141. Voltage and current threshold
POWER SUPPLY	Power Consumption Operating Temp Shock	Less than 2.5 watts -20°F to +135° F 60 Hz to 2kHz, Acceleration 25G	Less than 2.5 watts -20°F to +135° F 60 Hz to 2kHz, Acceleration 25G	Less than 2.5 watts -20°F to +135° F 60 Hz to 2kHz, Acceleration 25G
PHYSICAL DIMENSION	Vibration Size Weight	10 Hz to 60 Hz, Amplitude 1.8 mm 4.625" x 6.75" 3.6 lbs	10 Hz to 60 Hz, Amplitude 1.8 mm 4.625" x 6.75" 3.6 lbs	10 Hz to 60 Hz, Amplitude 1.8 mm 4.625" x 6.75" 3.6 lbs

POWER FAIL OPERATION Can operate without any input voltage for up to 30 minutes. This allows it to record down to 0 volts on all channels during power outages.



GUARDIAN

- 2 channels of AC voltage from 0-150 continuous per phase
- 2 channels 200 amps RMS current
- 256 samples/cycle/channel sampling rate
- Voltage and current harmonics to the 51st
- Measures all power functions
- Captures waveforms
- Bluetooth® wireless, USB, cell phone modem (optional) communications
- Up to 6.9 MB memory

iVS-2SX+

- A budget oriented single-phase meter socket power quality recorder.
- 2 channels AC voltage from 0-140 continuous per phase
- 2 channels up to 200 amps RMS current
- 128 samples/cycle/channel sampling rate
- Harmonics and waveform capture (optional) to the 31st
- Measures real, reactive, and apparent power
- Up to 2.1 MB memory

iVS-3S

- The only ten function three-phase meter socket power quality recorder available today.
- 2 or 3 channels AC voltage from 0-600 VAC
- 2 or 3 channels 200 amps RMS current (Forms 12S, 14S, 15S, 16S and 17S), or 25 amps (Forms 6S, 8S, and 9S)
- 128 samples/cycle/channel sampling rate
- Voltage and current harmonics to the 31st
- Captures waveforms
- Measures all power functions
- Up to 2.1 MB memory