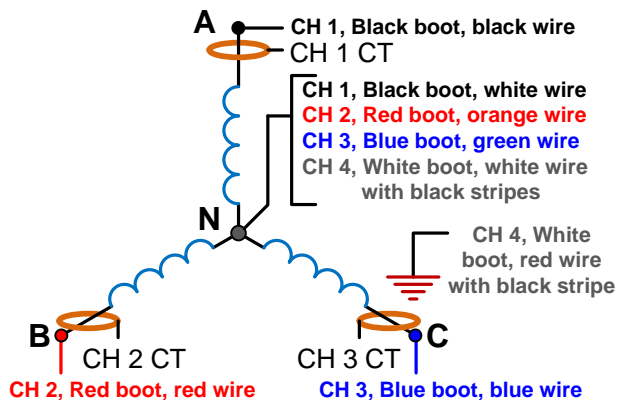


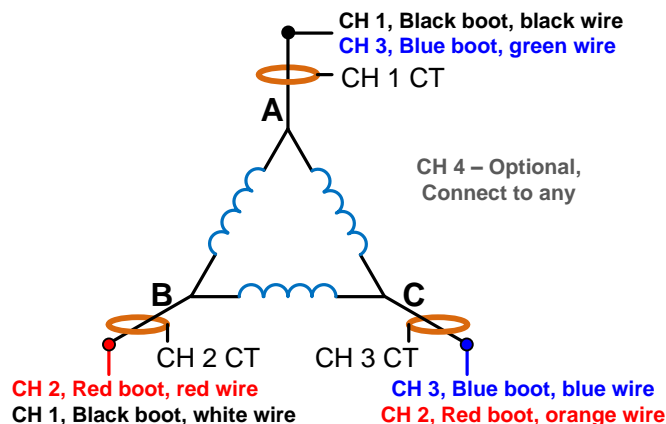
# ViP, iVS-3 rev2, and iVS-3/600P Hookup Diagrams

## Three Phase WYE



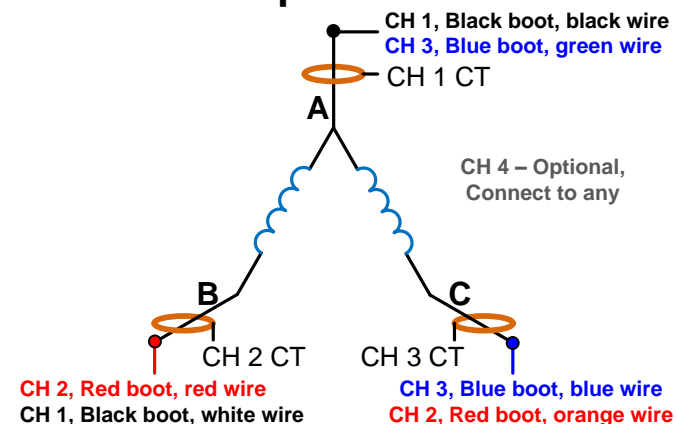
Set circuit type to "wye"

## Three Phase Delta



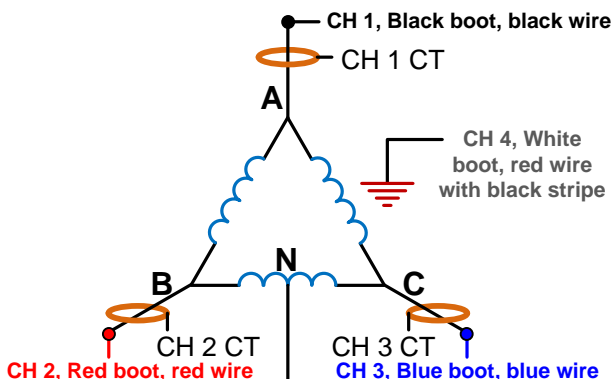
Set circuit type to "3 wire delta"

## Open Delta



Set circuit type to "3 wire delta"

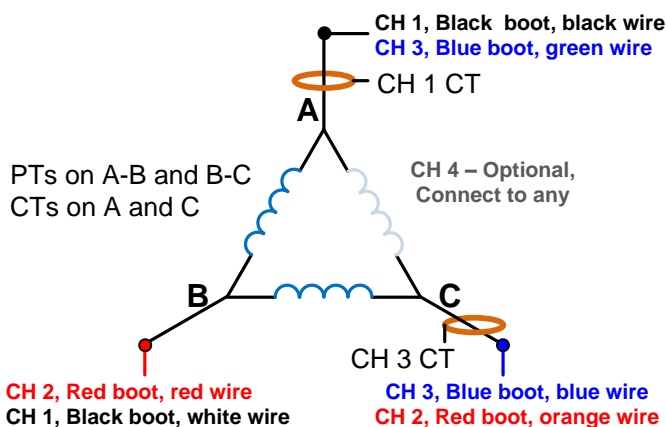
## Four Wire Delta



CH 1, Black boot, white wire  
CH 2, Red boot, orange wire  
CH 3, Blue boot, green wire  
CH 4, White boot, white wire with black stripe

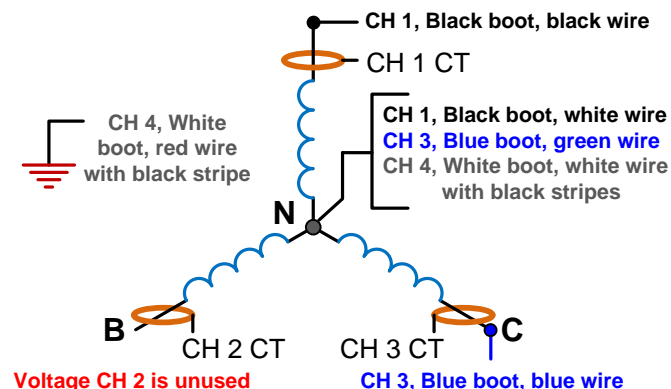
Set circuit type to "4 wire delta"

## Two Element Delta



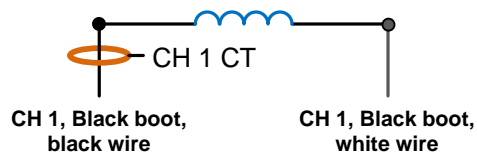
Set circuit type to "3 wire delta"

## 2½ Element WYE



Set circuit type to "2.5 el. wye"

## 2 Wire Single Phase



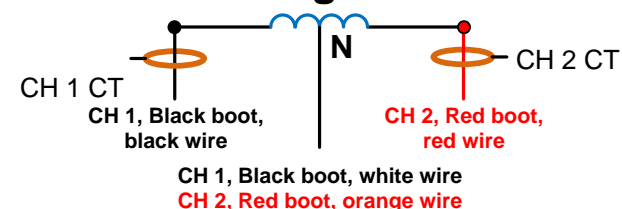
All Other Channels Optional

Set circuit type to "wye"

## Notes:

- Directional arrows on CTs should point TOWARDS the load.
- The rubber boots on the voltage leads are color-coded by channel: Black – Ch1, Red – Ch2, Blue – Ch3, White – Neutral. (Not all channels may apply, depending on your model.)
- Unused channels can be disabled in software for more recording time.
- Phase-to-Phase voltages are measured in 3-wire delta hookups.
- Line-to-neutral voltages are measured in wye hookups.

## 3 Wire Single Phase



All Other Channels Optional

Set circuit type to "wye"